

EMCJ Series Full Stainless Steel Series Angle Valve



EMCJ

Full Stainless Steel Series Angle Valve



Product Features

- * Normal close/Normal open full stainless steel angle valve, available body: SS304, SS316
- * Multiple seals are available for different medium
- * Wide size range from 3/8" to 2"

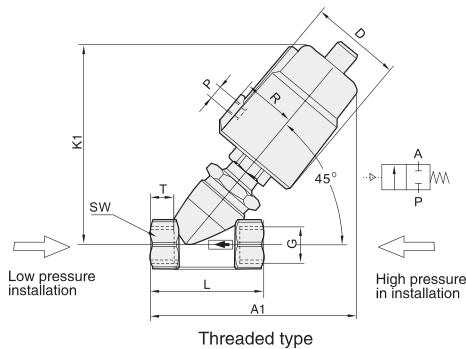
How to Order?

Series No.	Port Size	Actuator Size	Acting Type	Valve Body Material	ThreadType
EMCJ: Stainless Steel Series Angle Valve	10: 3/8" 15: 1/2" 20: 3/4" 25: 1" 32: 1-1/4" 40: 1-1/2" 50: 2"	40: Φ 40mm 50: Φ 50mm 63: Φ 63mm 80: Φ 80mm 100: Φ 100mm	Blank: NC Single Acting H: NO Single Acting D: Double acting	S1: SS316 S2: SS304	Blank: G P: PT T: NPT

Order Example:

EMCJ series full stainless steel angle seat valve, 3/8 port size, 40mm actuator size, NC single acting, SS316 valve body, G thread, ERP code is: EMCJ-10-40S1

Main Dimension

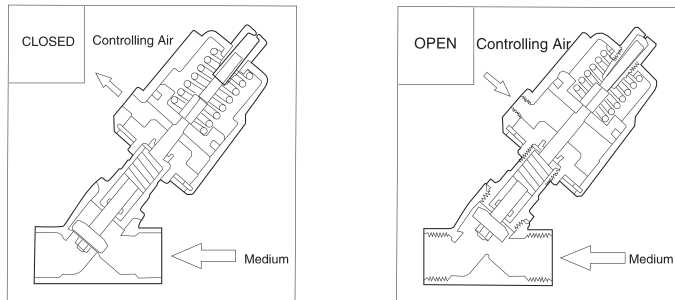


Size	Actuator (mm)	D (mm)	R (mm)	P	Thread					
					G	K1 (mm)	A1 (mm)	L (mm)	T (mm)	SW (mm)
DN10	40	50.5	27	1/8"	3/8"	115	120	68	12	22
	50	62	34	1/8"	3/8"	126	133	68	12	22
DN15	40	50.5	27	1/8"	1/2"	115	120	68	15	25
	50	62	34	1/8"	1/2"	126	133	68	15	25
DN20	50	62	34	1/8"	3/4"	131	137	75	16	31
	63	77	41.5	1/8"	1"	140	149	100	17	39
DN25	63	77	41.5	1/8"	1"	165	174	100	17	39
	80	98	52	1/4"	1-1/4"	175	188	116	21	50
DN32	80	98	52	1/4"	1-1/4"	185	203	116	21	50
	100	121	63	1/4"	1-1/4"	205	215	116	21	50
DN40	63	77	41.5	1/8"	1-1/2"	178	190	116	21	56
	80	98	52	1/4"	1-1/2"	187	204	116	21	56
DN50	100	121	63	1/4"	1-1/2"	208	216	116	21	56
	63	77	41.5	1/8"	2"	184	203	138	22	68
DN50	80	98	52	1/4"	2"	195	218	138	22	68
	100	121	63	1/4"	2"	215	230	138	22	68

Specifications

Model	EMCJ10-50	Model	EMCJ10-50
Port size	DN10-DN50	Temperature of medium(°C)	PTFE: -10 - +180
Thread	G3/8"-G2"	Ambient temperature(°C)	-10 - +60
Body material	CF8M	Viscosity(mm ² /s)	Max600
Actuator material	CF8	Installation	any position
Seat seal	PTFE	Controlling medium	air/neutral gas
Stem seal	PTFE/FKM	Controlling pressure (Bar)	3-10
Applicable medium	water,neutral gas or liquid,ethanol,oil,organic solvent,steam,alkalescent and weak acid solution		

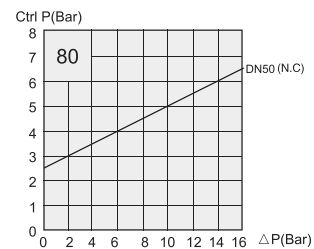
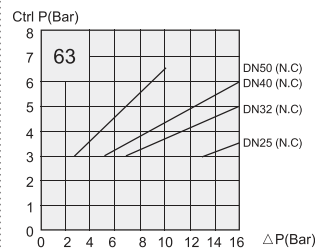
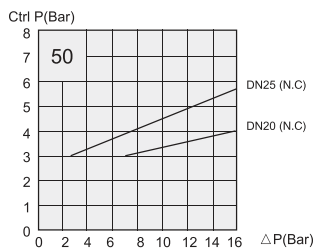
Flow direction: UP the seat, single acting normal close /open



Specifications

Type	Post size	Orifice (mm)	Actuator (mm)	Kv valve	Working pressure (Bar)	Normal Close		Normal Open		Order code	
						Admitted differential pressure range (Bar)	Control pressure range (Bar)	Admitted differential pressure range (Bar)	Control pressure range (Bar)	N.C. Normal close single acting	N.O. Normal open single acting
DN10	G3/8"	13	40	4.7	16	0-16	≥ 4	-	-	EMCJ10-40	-
	G3/8"	13	50	4.7		0-16	≥ 3	0-16	3	EMCJ10-50	EMCJ10-50H
DN15	G1/2"	13	40	4.7		0-16	≥ 4	-	-	EMCJ15-40	-
	G1/2"	13	50	4.7		0-16	≥ 3	0-16	3	EMCJ15-50	EMCJ15-50H
DN20	G3/4"	18	50	9.5		0-16	3-4	0-16	3	EMCJ20-50	EMCJ20-50H
DN25	G1"	24	50	18.1		0-16	3-5.5	-	-	EMCJ25-50	-
	G1"	24	63	18.1		0-16	3-3.5	0-16	3.5	EMCJ25-63	EMCJ25-63H
DN32	G1-1/4"	31	63	23.1		0-16	3-5	0-14	3.9	EMCJ32-63	EMCJ32-63H
DN40	G1-1/2"	35	63	32.9		0-16	3-6	0-11	3.9	EMCJ40-63	EMCJ40-63H
DN50	G2"	45	63	52.8		0-10	3-6.5	0-6	3.9	EMCJ50-63	EMCJ50-63H
	G2"	45	80	52.8		0-16	3-6.6	0-12	4.5	EMCJ50-80	EMCJ50-80H

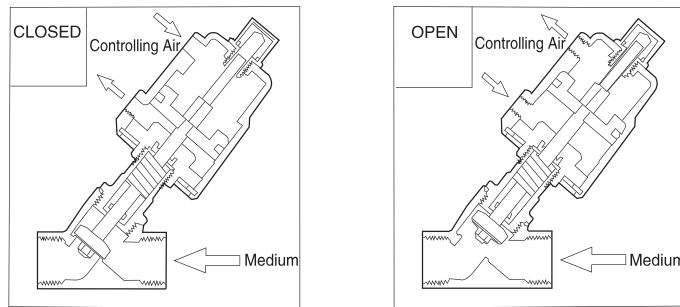
Flow Chart



EMCJ Series Full Stainless Steel Series Angle Valve



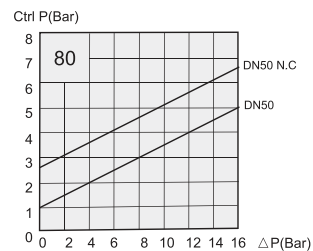
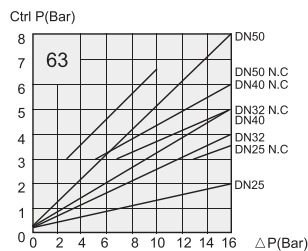
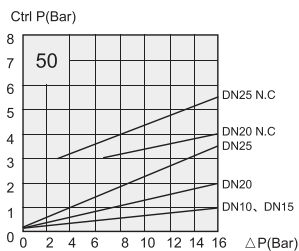
Flow direction: UP the seat, double acting normal close /open



Specifications

Type	Port size	Orifice (mm)	Actuator (mm)	Kv valve	Working pressure 180°C max (Bar)	Admitted pressure difference (Bar)	Control pressure		Model	
							Double acting (N.C) (Bar)	Double acting free insallation (Bar)	Double acting (N.C)	Double acting free insfanation
DN10	G3/8"	13	40	4.7	16	0-16	≥ 4	0-2	EMCJ10-40DC	EMCJ10-40D
DN10	G3/8"	13	50	4.7		0-16	≥ 3	0-1	EMCJ10-50DC	EMCJ10-50D
DN15	G1/2"	13	40	4.7		0-16	≥ 4	0-2	EMCJ15-40DC	EMCJ15-40D
DN15	G1/2"	13	50	4.7		0-16	≥ 3	0-1	EMCJ15-50DC	EMCJ15-50D
DN20	G3/4"	18	50	9.5		0-16	3-4	0-2	EMCJ20-50DC	EMCJ20-50D
DN25	G1"	24	50	18.1		0-16	3-5.5	0-3.5	EMCJ25-50DC	EMCJ25-50D
DN25	G1"	24	63	18.1		0-16	3-3.5	0-2	EMCJ25-63DC	EMCJ25-63D
DN32	G1-1/4"	31	63	23.1		0-16	3-5	0-4	EMCJ32-63DC	EMCJ32-63D
DN40	G1-1/2"	35	63	32.9		0-16	3-6	0-5	EMCJ40-63DC	EMCJ40-63D
DN50	G2"	45	63	52.8		0-10	3-6.5	0-5	EMCJ50-63DC	EMCJ50-63D
DN50	G2"	45	80	52.8	0-16	3-6.6	0-5	EMCJ50-80DC	EMCJ50-80D	

Flow Chat



EMCP

Plastic Actuator Series Angle Valve



Product Features

- * Normal close/Normal open plastic actuator angle valve, available body: SS304, SS316
- * Multiple seals are available for different medium
- * Wide size range from 3/8" to 2"
- * Better cost performance

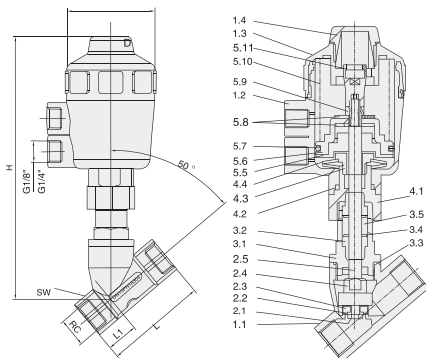
How to Order?

Series No.	Port Size	Actuator Size	Acting Type	Valve Body Material	Thread Type
EMCP: Plastic Actuator Angle Valve	15: 1/2" 20: 3/4" 25: 1" 32: 1-1/4" 40: 1-1/2" 50: 2"	50: ϕ 50mm 63: ϕ 63mm 80: ϕ 80mm	Blank: N.C. Single Acting H: N.O. Single Acting D: Double acting	S1: SS316 S2: SS304	Blank: G P: PT T: NPT

Order Example:

EMCP series Plastic Actuator Angle Valve, 3/8 port size, 40mm actuator size, NC single acting, SS316 valve body, G thread, ERP code is: EMCP-10-40S1

Main Dimension



Main Dimension(mm)							
DN	Port size	L	L1	SW	H	D	Actuator size
10	3/8"	55	17	21	170	54	50
15	1/2"	70	21	26.5	185	63	50
20	3/4"	76	23	32	190	63	50
25	1"	90	25	40	200	63	50
32	1-1/4"	116	32	50	240	81	63
40	1-1/2"	116	32	55.5	280	96	80
50	2"	138	40	68.5	295	96	80

List of parts		
1.1 Body	3.1 Screw connector	5.5 Piston
1.2 Cylinder	3.2 V sealing	5.6 Flange
1.3 Cylinder head	3.3 Seal ring	5.7 Seal ring
1.4 Ornament cover	3.4 Gasket	5.8 Gasket
2.1 Bolt	3.5 Spring	5.9 Hexagon nut
2.2 Orifice plate seal	4.1 Connecting nut	5.10 Spring
2.3 Seal disc	4.2 Seal ring	5.11 Position indicator
2.4 Disc	4.3 Lock nut	
2.5 Stem	4.4 Leaf spring	

Specifications

Model	EMCP10-50	Model	EMCP10-50
Port size	DN10-DN50	Temperature of medium	PTFE: -10° - 180° FPM: -10° - 100°
Thread	3/8"-1/2"	Viscosity	max 600mm ² /s
Body material	Stainless steel SS316/SS304	Installation	any position
Actuator material	Engineering plastic	Controlling medium	air/neutral gas
Seat seal	PTFE/FPM	Controlling pressure (Bar)	3-8
Stem seal	PTFE/FPM	Working Pressure(Bar)	0-16
Piston seal	FPM/NBR		
Applicable medium	water, neutral gas or liquid, ethanol, oil, organic solvent, steam,		